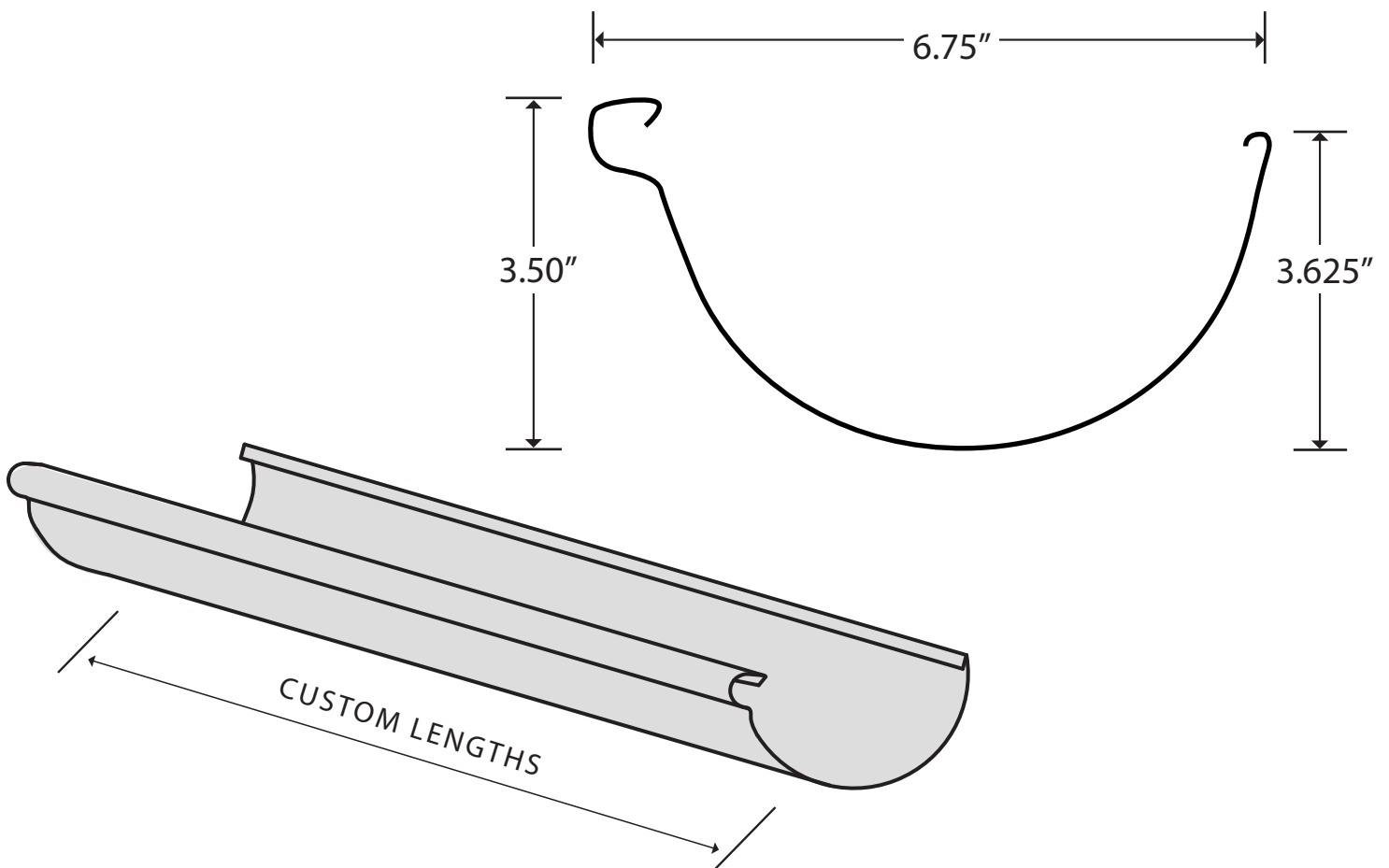


6 " HALF ROUND GUTTER SEAMLESS



Color: _____

Not to scale

Approved by: _____ Date: _____

METAL	SEAMLESS	
	<input type="checkbox"/> .027 Aluminium	<input type="checkbox"/> 24 Gauge Steel
	<input type="checkbox"/> .032 Aluminum	<input type="checkbox"/> 16 Oz. Copper
	<input type="checkbox"/> .040 Aluminium	<input type="checkbox"/> 20 Oz. Copperl
	<input type="checkbox"/> .050 Aluminum	

FINISH	<input type="checkbox"/> Kynar 500
	<input type="checkbox"/> Galvalume
	<input type="checkbox"/> Galvanized
	<input type="checkbox"/> Mill Finish Aluminium
	<input type="checkbox"/> Baked Enamel
	<input type="checkbox"/> _____

JOB INFO	Project	_____
	Architect	_____
	Contractor	_____
	Contact	_____
	Phone	_____
	Email	_____