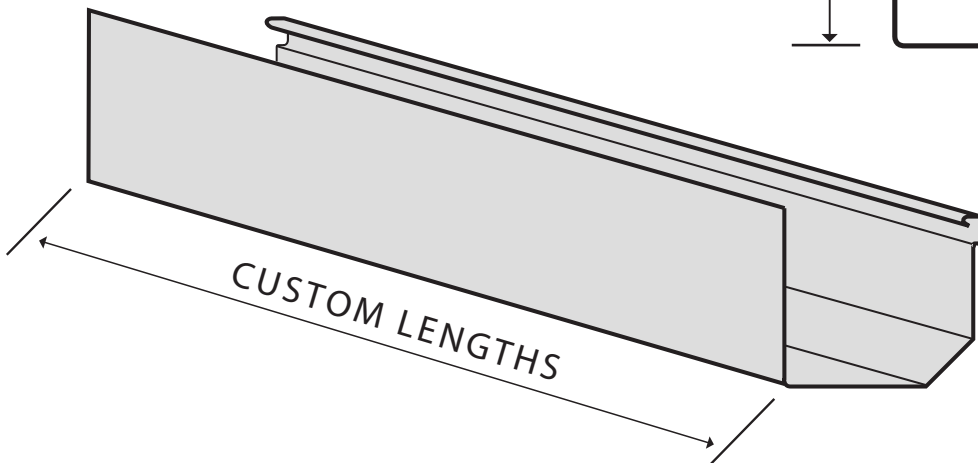
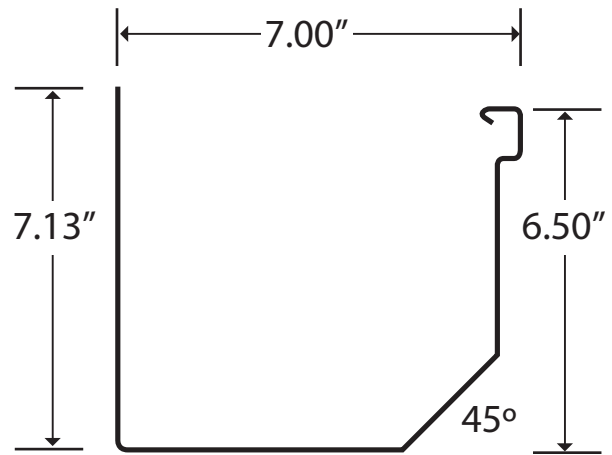


# STYLE D GUTTER - SEAMLESS

## 7" BOX GUTTER



Color: \_\_\_\_\_

Approved by: \_\_\_\_\_ Date: \_\_\_\_\_

<b>METAL</b>	<input type="checkbox"/> .032 Aluminium	<input type="checkbox"/> 24 Gauge Steel
	<input type="checkbox"/> .040 Aluminium	<input type="checkbox"/> 22 Gauge Steel
	<input type="checkbox"/> .050 Aluminium	<input type="checkbox"/> 20 Oz. Copper
		<input type="checkbox"/> 16 Oz. Copper

<b>FINISH</b>	<input type="checkbox"/> Kynar 500
	<input type="checkbox"/> Galvalume
	<input type="checkbox"/> Galvanized
	<input type="checkbox"/> Mill Finish Aluminium
	<input type="checkbox"/> _____

<b>JOB INFO</b>	Project	_____
	Architect	_____
	Contractor	_____
	Contact	_____
	Phone	_____
	Email	_____