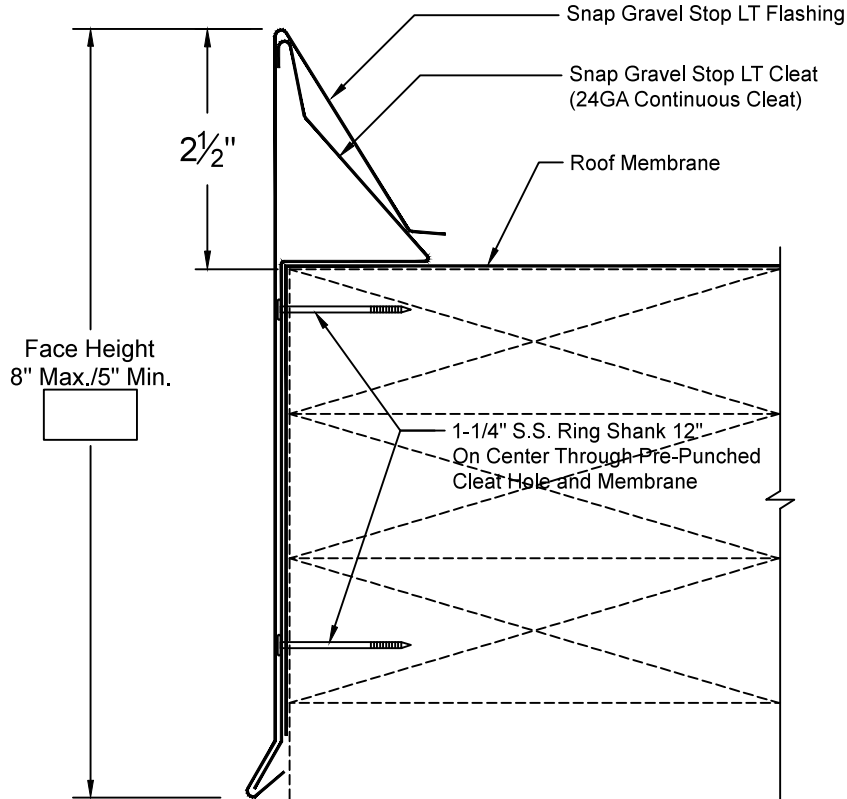


Snap Gravel Stop LT

ANSI/SPRI ES-1 CERTIFIED: .040" Aluminum =90 psf, 24GA Steel = 70 psf



- Continuous Cleat and Fasteners provided.
- Concealed Splice Plates provided.
- Splice Plate Sealant available for extra charge.

PRINT APPROVAL:

Architect and/or Contractor shall verify all dimensions, sizes, and quantities, All products to be installed in strict accordance with Drexel's printed instructions.

Approved By: _____

Date: _____

QUANTITIES:

Lineal Feet (10'-0" Lengths*): _____

Outside Miters** : _____ Optional Welded (Surcharge Applies)

Inside Miters** : _____ Optional Welded (Surcharge Applies)

Right End Caps** : _____ Optional Welded (Surcharge Applies)

Left End Caps** : _____ Optional Welded (Surcharge Applies)

Splice Plate Tape Sealant: Optional Sealant (Surcharge Applies)

* Optional lengths available up to 20'-0"

** Standard riveted

PROJECT: _____

ARCHITECT: _____

ROOFING CONTRACTOR: _____

REPRESENTATIVE: _____



P: 800-628-5849 E: office@garretymfg.com W: www.garretymfg.com

MATERIAL:

24GA .040" AL

Other: _____

Finish: _____

Color: _____

Effective Date: 9-22-14

Drawn By: J.S.

Approved By: B.P.