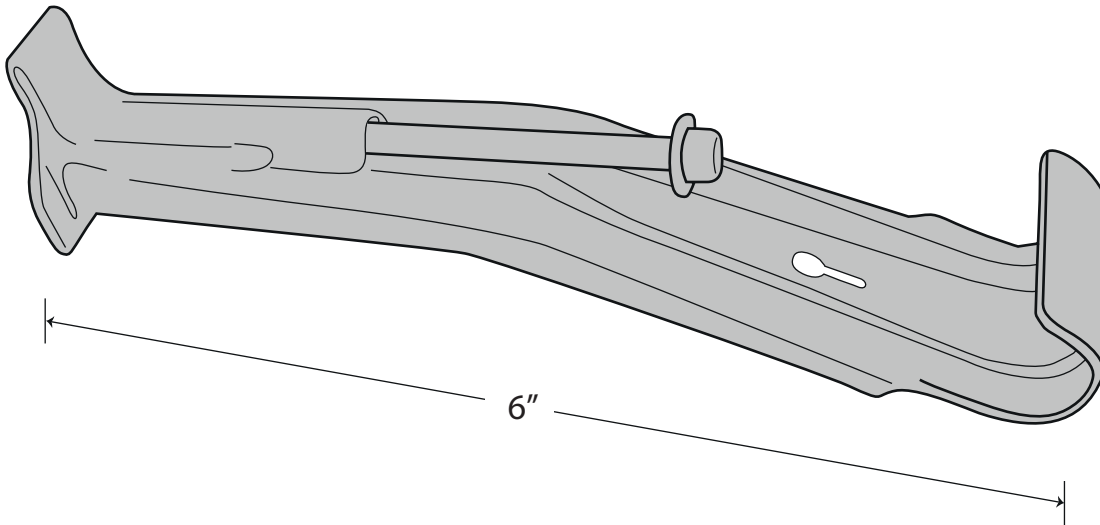


6 INCH HIDDEN HANGER WITH SCREW



Approved by: _____ Date: _____

METAL

Aluminum

Brass

JOB INFO

Project _____

Architect _____

Contractor _____

Contact _____

Phone _____

Email _____