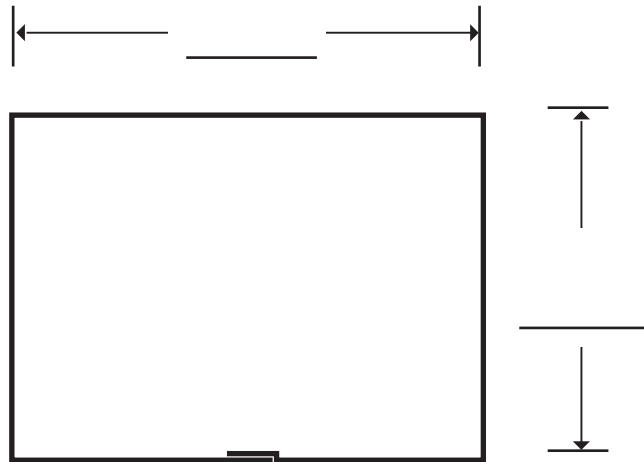
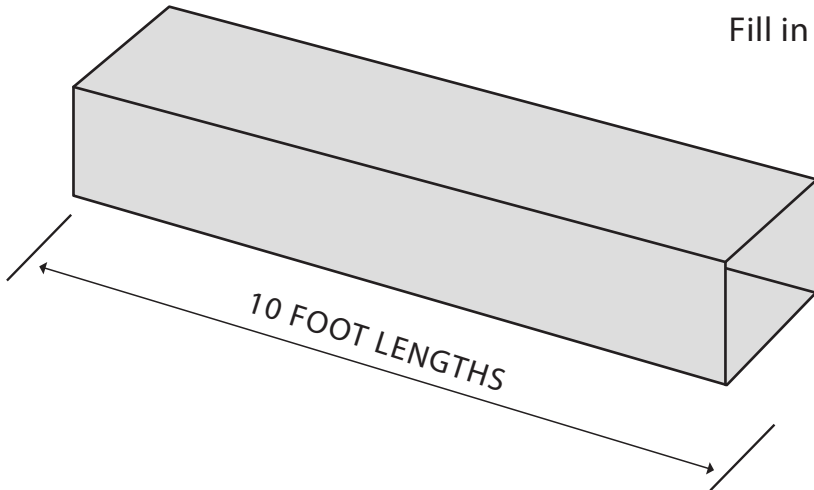


# CUSTOM FABRICATED DOWNSPOUT



Fill in dimensions above.



Tapered

Non-Tapered

Color: \_\_\_\_\_

Approved by: \_\_\_\_\_

Date: \_\_\_\_\_

**METAL**

- .063 Aluminium
- .050 Aluminium
- .040 Aluminium
- .032 Aluminium
- 26 Gauge Steel
- 24 Gauge Steel
- 22 Gauge Steel
- 20 Oz. Copper
- 16 Oz. Copper

**FINISH**

- Kynar 500
- Galvalume
- Galvanized
- Mill Finish Aluminium
- \_\_\_\_\_
- \_\_\_\_\_

**JOB INFO**

- Project \_\_\_\_\_
- Architect \_\_\_\_\_
- Contractor \_\_\_\_\_
- Contact \_\_\_\_\_
- Phone \_\_\_\_\_
- Email \_\_\_\_\_