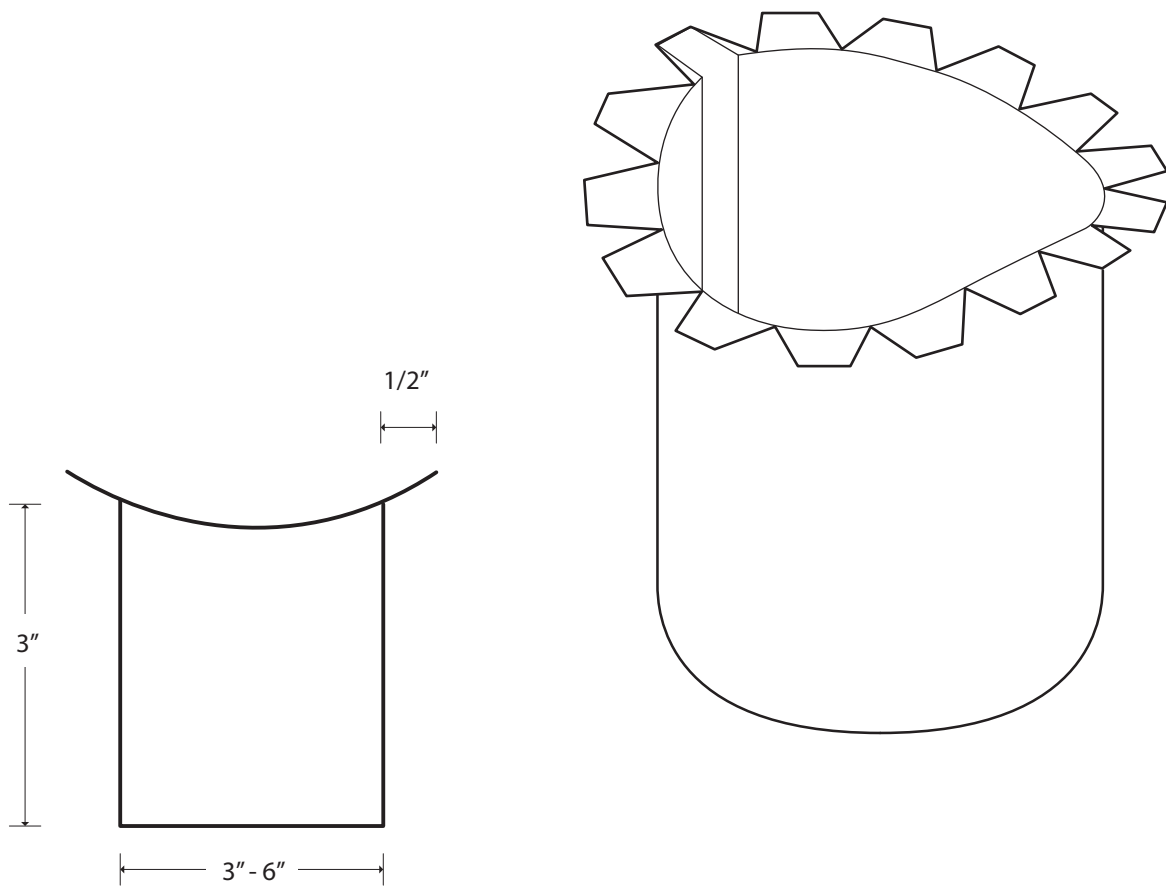


3" TO 6" ROUND A STYLE DOWNSPOUT OUTLET



Approved by: _____ Date: _____

METAL	<input type="checkbox"/> Aluminum
	<input type="checkbox"/> Steel
	<input type="checkbox"/> Copper

FINISH	<input type="checkbox"/> Kynar 500
	<input type="checkbox"/> Galvalume
	<input type="checkbox"/> Galvanized
	<input type="checkbox"/> Mill Finish Aluminium
	<input type="checkbox"/> Baked Enamel
	<input type="checkbox"/> _____

JOB INFO	Project	_____
	Architect	_____
	Contractor	_____
	Contact	_____
	Phone	_____
	Email	_____