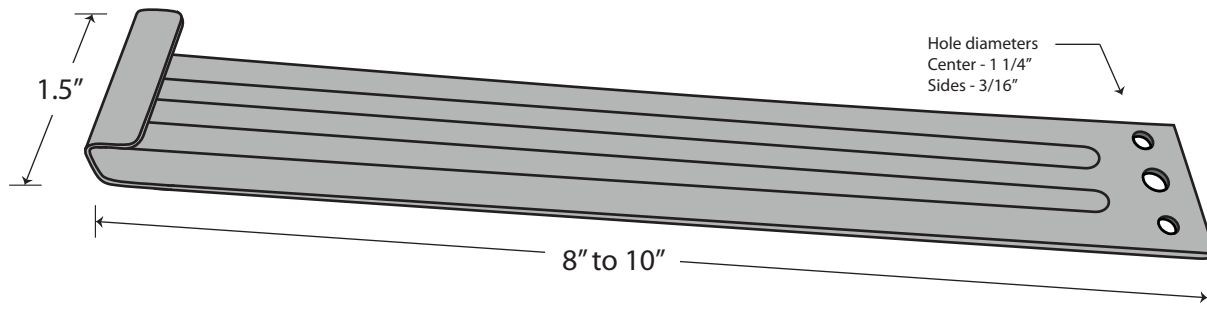


TOBOGGAN HANGER



Color: _____

Approved by: _____ Date: _____

METAL	<input type="checkbox"/> .063 Aluminium
	<input type="checkbox"/> 16 Gauge Galvanized Steel
	<input type="checkbox"/> 18 Gauge Stainless Steel

FINISH	<input type="checkbox"/> Kynar 500
	<input type="checkbox"/> Galvalume
	<input type="checkbox"/> Galvanized
	<input type="checkbox"/> Mill Finish Aluminium
	<input type="checkbox"/> Baked Enamel
	<input type="checkbox"/> _____

JOB INFO	Project _____
	Architect _____
	Contractor _____
	Contact _____
	Phone _____
	Email _____